

Cambridge



Crystal Ball

ISSUE NO. 44

DECEMBER 1976

Published monthly by the NATIONAL CAMBRIDGE COLLECTORS, Inc.
To encourage and to report the discovery of the elegant and boundless product
of the Cambridge Glass Company, Cambridge, Ohio

Best Wishes

FOR A

Happy

Holiday Season

AND THE NEW YEAR

Your Officers, Board of Directors,
and Crystal Ball Staff

MEMBERSHIP RENEWAL NOTICE

If the date on your
Address Label is -- 12-76

This is your last issue of the CRYSTAL
BALL! Don't miss a single issue - RE-
NEW YOUR MEMBERSHIP NOW!

FORM ENCLOSED FOR YOUR CONVENIENCE

CAMBRIDGE CRYSTAL BALL
P. O. Box #416
Cambridge, Ohio 43725

Official publication of National Cambridge Collectors, Inc., a non-profit Corporation with tax exempt status. Published once a month for the benefit of its members. Membership is available for individual members at \$10 per year and additional members (12 years of age and residing in the same household) at \$3 ea. All members have voting rights, but only one CRYSTAL BALL will be mailed per household.

Back issues of the CRYSTAL BALL are available to members only, at a cost of 60¢ each or 12 issues for \$7.

1976-77 Officers & Committee Chairpersons

PRESIDENT ----- William C. Smith
VICE-PRESIDENT ----- David G. McFadden
SECRETARY ----- Janice Hughes
TREASURER ----- David G. McFadden

BUDGET & FINANCE ----- William C. Smith
BY-LAWS -----
CONVENTION ----- John Wolfe
MEMBERSHIP ----- Sue Rankin
MUSEUM ----- Larry Hughes
PROGRAM & ENTERTAINMENT ----- Doris Isaacs
PUBLICITY ----- Jack Rettig
STUDY GROUP ADVISORY --- Frank Wollenhaupt
PROJECT ----- David B. Rankin

1976 CAMBRIDGE AUCTION ----- Lynn Welker

CRYSTAL BALL Editor ----- Phyllis D. Smith

CLASSIFIED ADVERTISING RATES

5¢ per word \$1.00 minimum

We cannot mix type size in classified advertisements. Abbreviations and initials will count as words. Payment in full must accompany all ads.

DISPLAY ADVERTISING RATES

	Members	Non-Members
1/8 page -----	\$ 4.00 - - -	\$ 6.00
1/4 page -----	7.00 - - -	10.00
1/2 page -----	12.00 - - -	18.00
3/4 page -----	17.00 - - -	25.00
Full page -----	22.00 - - -	33.00

DEALERS DIRECTORY

1" ad ----- \$5.00 for 6 months

Cambridge CRYSTAL BALL assumes no responsibility for items advertised and will not be responsible for errors in price, description, or other information.

Advertising copy must be in our hands by the 15th of each month to assure publication in our next issue. Advertisements containing reproductions will not knowingly be accepted unless clearly stated.

Please address all correspondence to:

Cambridge CRYSTAL BALL
National Cambridge Collectors, Inc.
P. O. Box #416
Cambridge, Ohio 43725

PLEASE NOTIFY US IMMEDIATELY OF ANY CHANGE
IN YOUR ADDRESS!

PLEASE enclose a Self-Addressed, Stamped
Envelope when requesting information.

STUDY Club News

HOKEY-POKEYS

The Hokey-Pokeys did not hold a meeting in November. Their December Christmas meeting will be held on Sunday, December 19th, in the home of Bill and Phyllis Smith, Springfield, Ohio.

Submitted by Phyllis Smith



CAMBRIDGE SQUARES

The Cambridge Squares met at the home of Frank and Lena Barnes of Cambridge, on October 23rd. Eleven members and two guests were present.

The topic was figurals. A pink satin finish draped lady with a round base was shown. She measured 12 $\frac{1}{4}$ " in height and had the side bun hairdo. Other items shown were a crystal Dresden Lady, a satin nude ivy ball, a crystal nude claret and an Ebony Scotty Dog bookend.

Pieces on the "Show and Tell" table included an Imperial Hunt Scene goblet; carmen cordials with #3103 crystal stem and foot; a signed heatherbloom demitasse cup; moonlight blue Caprice juice pitcher and a 1 oz. shot glass with Wildflower etching.

The next meeting will be held on November 20th, in the home of Shirley and Everett Patterson.

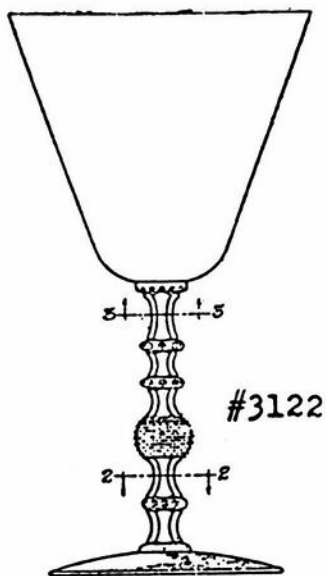
Submitted by Doris Isaacs

Merry Christmas and Happy New Year

Stems

by Frank and
Vicki Wollenhaupt

On November 10, 1931 patent number 85,528 was granted to Jess Clair Kelly for the following stem.



The first mention of this stem, to date, appears in the October, 1931 issue of China, Glass and Lamps. The ad states "This has never been shown before. An exquisite glass line of domestic manufacture made in full stemware, flatware and dinnerware. The new shape has a fancy pressed stem on which patent is applied for" (see July 1976 issue of CRYSTAL BALL, page 11, for ad)

According to the December, 1931 issue of China, Glass and Lamps, "The number 3122 patented shape in stemware may be had in Forest Green, Royal Blue, Amber, Carmine, Gold Krystal, Peach, Emerald, Heatherbloom and Crystal. The line is made either plain, etched or in rock crystal.

The National Cambridge Collectors reprint issue of the 1930-34 Cambridge catalog reveals the #3122

stem in the following sizes: 2½, 5, 9 and 12 oz. footed tumblers, 7 oz. low and 7 oz. tall sherbets, 4½ oz. oyster cocktail, 9 oz. goblet, 4½ oz. claret, 2½ oz. wine, 3 oz. cocktail and a 1 oz. cordial.

Are there any collectors out there collecting stems? If so, would you like a particular stem researched through the available patents and advertising? Please drop us a line in care of National Cambridge Collectors, Inc.

PRICE GUIDE # 2

by Dave Rankin

Just six short months ago the club released its reprint of the 1930-1934 Cambridge Glass catalog and the accompanying price guide. The ink is hardly dry on the first price guide and work has already begun on a revision. This price guide has provided a lot of useful price information but many of us feel that the second price guide can be even better. We seek to make two improvements and each will require help from many club members. In fact, it cannot be accomplished without your help.

The first improvement is to provide more specific information on the colors in which the pieces were produced and, secondly, to provide prices gathered throughout the country rather than just the midwest. It will take some time to accomplish these goals therefore work will proceed in two phases. The first phase will begin immediately with the collection of information on colors. After a few months emphasis will shift to the collection of prices.

We cannot overstress the impor-

— continued on page 7

'Quarterly Meeting Highlights'



by Doris Isaacs

The National Cambridge Collectors, Inc., held their Quarterly meeting, Sunday afternoon, November 14, 1976, in the meeting room of Columbia Gas of Ohio, Inc., Cambridge, Ohio. There were approximately forty members and guests present.

A relatively short business meeting was held. The complete minutes of this meeting will appear in next month's issue of the CRYSTAL BALL. Highlights were as follows: Project Chairman Dave Rankin announced plans to release a new Price Guide for our 1930-34 Catalog Reprint. Target date for this project has been set for January, 1978. Our 1977 Convention Chairman John Wolfe announced that the Country Club has been reserved for that event. Some of his committees are already at work - but more help is needed. Anyone with ideas or offers of help were asked to please contact him as early as possible. It is not too early to make plans to attend next year - remember the dates - JUNE 24, 25, 26, 1977!! A report from our Museum Chairman Larry Hughes indicates that our Catalog Reprint is continuing to sell very well.

Lynn Welker introduced our guest speaker for the afternoon, Mrs. John (Elizabeth) Degenhart, "The First Lady of Glass". Her talk entitled "The Miracle of Glass", described the beginning of the making of glass and a history of the art.



Mrs. Elizabeth Degenhart

Mrs. Degenhart started work at the old Cambridge glasshouse in 1905 and continued to work there until 1908, when she and her late husband John were married. In 1947, she and John started the Crystal Art Glass Co., which she still operates. She is known throughout the United States for her fine glassware.

In reminiscing she told of how her husband at 9 years of age and his brother Charlie then 10½ years, started their working days at the National Glass Combine in Findlay, Ohio. In those days they had only one pair of shoes between them - so one worked days and the other worked nights, sharing the shoes. Times were hard in those years. At the age of 15, John had his first job with the Cambridge Glass Company as driver of the horse and buggy for Mr. Arthur J. Bennett. This was the beginning of 47 years with the Cambridge company. As everyone knows, John became much more than a buggy driver in those 47 years. His name is widely known and respected as the maker of the finest glass paperweights known. A John Degenhart paperweight is a most

continued on next page —

continued ———

highly sought after item. Mrs. Degenhart had several of his paperweights there for us to see and enjoy. She also had several early pressed pieces that were representative of her years with Cambridge Glass, plus some early pieces of Findlay glass.

She also had a small display of some of the items now being made by her, the latest of which is the lovely "Priscilla" glass lady. It comes in several of her colors and is made from her very own design.

Mrs. Degenhart confessed that she is not a public speaker - but we found her to be absolutely delightful, charming and most interesting. We only hope she will honor us with a return engagement very soon.

To top off our afternoon, there was a breath taking display of RARE and UNUSUAL Cambridge glass arranged for us by John Wolfe. Mr. Welker gave identification and details on each item. He noted that RARE and UNUSUAL items do not always command high price tags. They are sometimes found for very reasonable prices simply because they are not always recognized by many dealers and collectors alike.

Among the more unusual pieces were three figure flower holders. One was the Rose Lady in Ivory, the second was a draped lady in Blue Bell (slightly darker in color than "Windex"), and the third was the extremely RARE "Melon Boy" (?) in Peachblo.

A Royal Blue carnival Near-Cut Inverted Strawberry creamer and spooner were among the more beautiful pieces, as were the Nude stem goblets with Rockwell silver decorations. Not to be forgotten was a pair of Royal Blue single-lite candlesticks in Japonica. There were many items of decorated ware, candy containers, unusual Near-Cut patterns and many, many

other interesting pieces.

A former Cambridge employee, Mr. Ray A. Norris of Cambridge, Ohio, brought in a most unusual Nautilus 1 oz. shot glass in Crown Tuscan.

Some interesting facts are always revealed and this time we were told that instead of the usual acid finish that gives a dull or satin appearance, the Ebon pieces were sandblasted. Also, we were left without an answer to the question: Did Cambridge do their own flashing or did someone else do it for them?

The meeting was adjourned by 5 PM, and everyone browsed and visited with old and new acquaintances.

Our next Quarterly meeting will be held on Sunday, February 20, 1977, and the topic will be Etchings. Please plan now to attend!

LANDMAN NAMED

Mrs. Ruby Landman of Ashland, Ohio, has been appointed to the National Cambridge Collectors, Inc., Board of Directors to fill the unexpired term of Evelyn Allen ending in June, 1978.

Ruby is a housewife, with many interests, but her special one is that of collecting Cambridge. She and her husband Gerald have been active members of N.C.C. since its beginning in 1973.

Both she and Doris Isaacs were introduced at the November Quarterly meeting as our newest Board members.

Mrs. Allen resigned her Board position in late August.

----- DEADLINE NOTICE -----

Due to the upcoming Holidays, our deadline for receiving advertising and copy must be changed from the 15th to the 10th of December. We will go back to the 15th again in January. Thank you for your cooperation in this matter!

A Supreme Novelty

by Dave Rankin

"Will the real Cambridge turkey please stand up." This was the headline to an article in the February, 1974 issue of the CRYSTAL BALL by Charles Upton. In this article, Charles went to great length to describe the differences between the two turkeys under consideration. Despite this extensive effort no definitive conclusion could be reached. During recent years, research efforts have been made and many, many questions still remain unanswered. However, one small but extremely important bit of information on turkeys was discovered. With this new information we will attempt to provide a conclusive but easy guide to identification of the Cambridge turkey.

The photographs of two turkeys, from the article by Charles, have been reproduced here. Figure 1 is the Cambridge turkey and Figure 2 is our mystery.



FIGURE 1

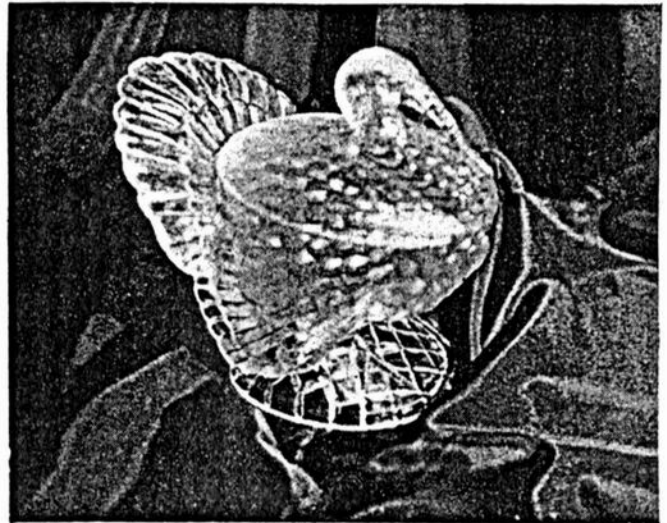


FIGURE 2

Notice the waffled appearance of the base on the mystery turkey. This is the most recognizable distinction between the two turkeys. We must compliment Charles on his insight in a particular statement and we quote: "The more I compare these two birds, the more I am convinced that the copy is older than the Cambridge turkey and is not actually the copy as I have called it." By hindsight we know that the mystery turkey is, in fact, older than the Cambridge turkey and not a copy of it.

The end of our mystery came with the discovery of a trade article in November, 1926 and a trade advertisement in August, 1927. Both items show a glass turkey with a waffled base. It was imported by F. Pavel Company, New York City and was also sold by Mary Ryan, 225 Fifth Ave. The foreign manufacturer was not identified. An interesting note is the statement that it is a copy, "an exact copy of an old sweet meat jar. Its history is rather obscure so that one does not know whether it was at one time a fashionable novelty or merely the work of an

continued on next page ———

continued ———

artisan in glass." The article further states that the imported turkey was made in crystal, green, salmon, aquamarine and topaz. For those of you who may be wondering if the Cambridge turkey was the original sweetmeat referenced in the trade article, let us clarify that the Cambridge turkey was introduced in late 1930, four years after the article. If you are shopping for a Cambridge turkey, the only thing to remember from all this information is that THE TURKEY WITH THE WAFFLED BASE IS NOT CAMBRIDGE.

This article would not be complete if we did not address ourselves to a turkey produced in abundance for many years by L. E. Smith Company. This turkey is very frequently mistaken for the Cambridge turkey; at times, a very costly mistake. We hope to provide enough information to prevent this mistake among our club members in the future.

For those of you who have an opportunity to use a tape measure when making a decision on a turkey the following measurements will help. The circumference of the bases are 14" for Smith, 17" for Cambridge. Front to back with the lid off (breast to tip of feathers) is 7" for Smith, 9+ for Cambridge. The width of the feathers at the widest point is 5½" for Smith and 7" for Cambridge.

If you cannot use a tape measure, the following will help. The opening for the lid on the Smith turkey is level where the Cambridge turkey slopes significantly downward toward the front. If you try to pick up these turkeys with one hand by reaching across the back behind the head, the smallest adult hand can get a firm grip on the Smith turkey, but the largest hand cannot get a firm enough grip to pick up a valuable Cambridge

turkey. (Please use two hands when actually picking up these turkeys.)

With these tools, we hope that the real Cambridge turkey finally stood up for you.



PRICE GUIDE continued from page 3

tance of members' contributions. If no one contributes there will be no information for the price guide. If each of the approximate 300 households represented in the club contributes, each contribution will be returned 300 fold.

Here is what you can do: send us a list of those articles that appear in the reprint and the color or colors that you have or have seen. We will need the article number, decoration if applicable, and color. If you are not sure of the color name, describe it as best you can. A description of the article is not necessary unless the article number is not sufficient to identify the exact piece as in the case of most stemware lines. The page number reference from the reprint would be helpful but not necessary.

We need one important factor on prices and that is an indication of whether it was an actual "sold for" price or an "asking" price. A simple code "S" for sold for and "A" for asking price is sufficient. On candlesticks and the like, please indicate whether the price is for a pair, each or a set price.

Send your information and any suggestion for the price guide to: National Cambridge Collectors, Inc. Dept. PG, P.O. Box 416, Cambridge, Ohio 43725.



Patterns

by Bill Smith

In this and future articles we will be attempting to provide you with a useful, in-depth study of some of the patterns that were among the Cambridge "Best Sellers".

The first pattern to be presented in this series is CAPRICE. We have selected this pattern for several reasons. It's beauty, it's availability, and it's popularity.

Caprice was probably the highest quantity single pattern line produced by Cambridge.

The earliest historical information that we have for this pattern is in the form of Design Patent applications. We have copies of four of these. All were dated in 1936 which is probably the year this pattern was introduced. Most new patterns were introduced at the Pittsburgh Glass Trades Show that was held in January of each year.

On January 13, 1936 Mr. A. J. Bennett applied for Design Patents in three categories of glassware using Caprice drawings. These were: a Goblet or similar article, which was granted and given number 98,794 on March 3, 1936; a Plate or similar article which was given number 98,825 on March 10, 1936; and, a Bowl or similar article which was given number 98,993 on March 24, 1936. Each of these patents were for a term of seven years.

On March 10, 1936 an application was filed for the Design Patent for a Candlestick or similar article by Mr. W. L. Orme, and was granted number 99,448 on April 28, 1936.

Design patents are granted for classifications of glassware rather than individual items to reduce the quantity that would be required to cover a complete line of ware.

From the foregoing we reach the conclusion that production of this Line must have had it's beginning sometime late in 1935.

From various pieces of advertising we are able to piece together some of the early information regarding this pattern.

From "China, Glass and Lamps" of June 1936 we read, "the Caprice Line includes over 200 items. More than 150 items are in open stock". It further states, "these pieces can be obtained in Crystal, Moonlight Blue and a satin finish Alpine".

Caprice was featured in the company's national advertising for the months of October and November 1938 and March 1939. The ads appeared in House and Garden, American Home, Ladies Home Journal, and House Beautiful. Many libraries carry files of such magazines for those who wish to research this type of material. Your librarian has a catalog of the files, and could tell you if these publications are in file.

As of this writing, our earliest reference to the colors of La Rosa (pink), Pistachio (green), and Mocha (amber), appears in a Jan. 1, 1940 Price List. This list shows approximately 60 pieces produced in LaRosa and only 3 items produced in Pistachio and Mocha. We have a letter from the company to it's customers dated Oct. 16, 1943 which states indirectly that these colors would be dropped from production at that time. We will research this further for updates.

Crystal Caprice was still in production at the time that the factory was closed. When the Moonlight Blue was dropped from production is not know at this time. Perhaps we will find this information also later.

In our search of various old catalogs we have been able to compile quite a listing of catalog item numbers for this Line. We have at present 243 individual catalog item numbers. Most of these are for individual pieces, but a few are for set items such as a sugar and a creamer on a tray. It is also noted that we have many holes in the numbering sequence which leads us to believe that we will find more items to add to the list.

In future articles, we plan to provide you with lists of the catalog items and copies of catalog pages that will show you the various items. We will include updates on previous articles and any unusual findings regarding the pattern. Contributions of Information from you readers would aid the attempt at total coverage of the subject.

CAPRICE - - - Captures the *whim* of dancing lights for your table





The Cambridge Glass Company



Caprice



1-10 oz. Goblet



2-7 oz. Tall Sherbet



4-5 oz. Low Sherbet



3-3½ oz. Cocktail



6-3 oz. Wine



5-4½ oz. Claret



9-12 oz. Ftd. Tumbler



10-10 oz. Ftd. Tumbler



11-5 oz. Ftd. Tumbler



12-3 oz. Ftd. Tumbler



7-4½ oz. Sea Food or Fruit Cocktail



16 Fingerbowl & Plate



14-9 oz. Table Tumbler



13-3½ in. Coaster



178-90 oz. Doulton Jug



15-12 oz. Tumbler



183-80 oz. Jug



179-32 oz. Jug



187-35 oz. Decanter



184-12 oz. Tumbler

183/184-7 pc. Set



180-5 oz. Tumbler

179/180-7 pc. Set



188-2 oz. Tumbler

187/188-7 pc. Set

Patent numbers 98794, 98825, 98893, 99440

JANUARY 1, 1940

Cambridge, Ohio - - - U. S. A.



The Cambridge Glass Company



Caprice

Patent numbers 98794, 98825
98993, 99448



22-8½ in. Salad Plate
24-9½ in. Dinner Plate
23-7½ in. Salad Plate
21-6½ in. B & B Plate
20-5½ in. Coaster



17 Cup & Saucer



40 Ind. Sugar and Cream



41 Sugar and Cream



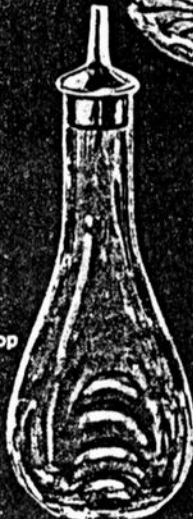
96 Salt & Pepper Shaker w/Glass Top



213-2¼ in. 3 Ftd. Ash Tray



43-3 pc. Sugar and Cream Set



186-7 oz. Bitter Bottle
w/Chrome Tube



100-5 oz. Oil D/S



97-3 pc. Salt & Pepper Set



42-3 pc. Sugar and Cream Set
42-9 in. Oval Tray



212-3½ in. Ash Tray



95-2 in. 4 Ftd. Almond



94-2½ in. 2 Compt. Ind. Nut & Mint



93-2½ in. Ind. Nut Dish



206-3 in. Ash Tray, Triangle



205 Cigarette Holder—Triangle, 2 x 2¼ in.



99-3 pc. Oil & Vinegar Set
also
98-3 oz. Oil or Vinegar



210-4½ in. Ash Tray, Triangle



204 Cigarette Holder—Triangle, 3 x 3 in.



208 Cigarette Box & Cov. 4½ x 3½ in.



207 Cigarette Box & Cov. 3½ x 2½ in.

JANUARY 1, 1940

Cambridge, Ohio - - - U. S. A.

PRICES here & there

by N.C.C. Members
and Phyllis Smith

Your response to this article is getting better each month. Our prices this month come from New York, California, Oregon, Maryland and of course Ohio. How about something from our members in Texas, Michigan, Florida, etc? We're waiting to hear from you.

Our reporters in Maryland tell us that they made the following purchases this past month. Ring stem royal blue Ivy bowl \$19, (it has a little water deposit around the inside), amber ring stem 12" Vase \$20, Feather Near-Cut goblet \$10, Seashell crystal ash tray \$5, 3" Swan in crown tuscan with gold trim at a Carnival Glass show for \$32, and a Cleo etched candlestick for 50¢ at a Flea Market.

Our Oregon reporter found a crown tuscan covered candy dish (footed seashell pattern) at a garage sale for \$2. Says it made her whole weekend! She also reports that prices in Oregon average as follows: crown tuscan \$55 to \$60 ea. Large pieces like cornucopias \$90-\$110. Small pieces \$20-\$40. This same reporter tells us she passed up three Rubina vases at \$135 each ---but is having second thoughts, and regrets not buying them.

From Ohio comes the report that an all crystal nude claret sold for \$60 at an Auction in October. The same Auction brought \$15 for a pr. of Ebon double Cambridge Square candleholders with gold stars, and 3 crystal Stratford 2-hdd. salts sold for \$7 each.

At a Yard Sale in southern Ohio, a pair of crystal ring stem single candleholders sold for \$7, while a Chantilly divided relish went for \$6, and a pair of Milk Glass Mt. Vernon salts brought only \$3.

----- continued on page 13

BOOKS FOR SALE

National Cambridge Collectors, Inc. is proud to announce that you can now order all of the available reference books on Cambridge glass directly from the Club.

Address your orders for any of the following to:

BOOKS
National Cambridge Collectors, Inc.
P. O. Box 416
Cambridge, Ohio 43725

"1930 - 1934 CAMBRIDGE GLASS CO. CATALOG REPRINT"
by National Cambridge Collectors, Inc.
(250 page reprint of original catalog)
Hardbound with Price Guide \$14.95

"THE CAMBRIDGE GLASS BOOK"
by Harold and Judy Bennett
(96 pgs. with 59 color plates) \$9.95

"1975 PRICE GUIDE TO THE CAMBRIDGE GLASS BOOK"
by Charles and Mary Alice Upton
(Prices for each item in Bennett book) \$1.75

"CAMBRIDGE, OHIO GLASS in COLOR II"
by Mary, Lyle and Lynn Welker
(15 color plates w/description and notes) \$5.95

"CAMBRIDGE GLASS CO. BOOK II"
by Mary, Lyle and Lynn Welker
(119 pgs. of reprints from old catalogs) \$6.95

"1903 CAMBRIDGE GLASS CO. CATALOG REPRINT"
by Harold and Judy Bennett
(106 page reprint of original catalog) \$7.50

OHIO RESIDENTS ADD 4 1/2% SALES TAX



ORDER NOW
FOR CHRISTMAS DELIVERY!!!!!!

TOUCH OF HISTORY

Jack and Sue Rettig

China, Glass & Lamps

Cambridge Wares Are Unbeatable For Gifts

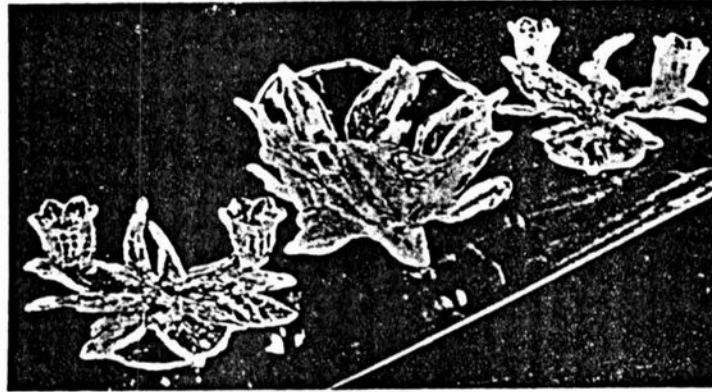
APRIL, 1930

MAY, 1933

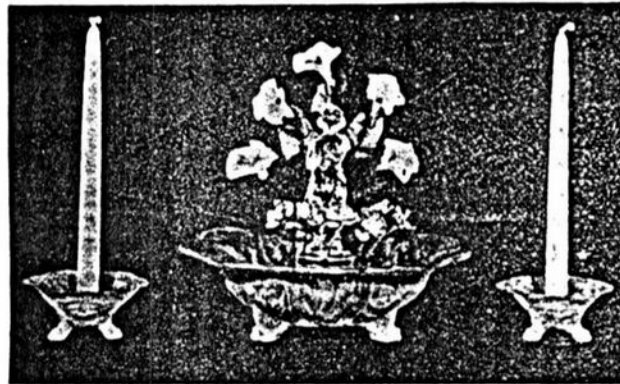


No. 1251 Springtime Vase

Here is a flower holder unique for the season of flowers. Made in Jade, Rose-DuBarry, Mystic and other Satin Finish effects. Eight inches high.



MAY,
1931



No. 1150/1155/518 Jade Console Set

This four-piece Console Set is another winner from our Satin Finish line. Can be had in various colors including Jade, Cinammon, Krystal, Rose-DuBarry and Mystic. A beautiful design and highly attractive.

Illustration shows Swan in Satin Finish Crystal with beak in coral red. Can be had in various sizes for many purposes and in a wide choice of attractive colors. A real gift item.



No. 1044 Crystal Swan

Happy Holiday
Wishes

A. SPRINGBORN

2383 Warwick Rd., Melbourne, Florida 32935 - Phone: 305-254-7439



- | | |
|---|-----------|
| # 1 - Crown Tuscan Urn Vase Gold encrusted Rose Point (B-24-1-2) ---- | \$ 150.00 |
| 2 - Crown Tuscan Urn Vase Enameled decoration (B-9-1-2) ----- | 160.00 |
| 3 - Coasters, 2 green and 2 gold in Farber holders (each) ----- | 8.00 |
| 4 - Farber stems, Moonstone inserts, Tulip shape (pair) ----- | 25.00 |
| 5 - Cornucopia Vase, Royal Blue with Crystal foot. Slight water stain. (for shape see B-14-1-1) ----- | 32.00 |
| 6 - Carmen Mt. Vernon Mug - signed ----- | 32.00 |
| 7 - Flying Lady center bowl, Moonstone finish (B-25-3-3) ----- | 95.00 |
| 8 - Dolphin candlesticks 5", two-lite Crown Tuscan (B-17-3-45) ---- | 95.00 |
| 9 - Crown Tuscan 4" Dolphin Stem candleholders (B-15-3-1) pair ---- | 95.00 |
| 10 - Moonlight Blue Gyro Optic Ball Jug and 6 Tumblers ----- | 55.00 |
| 11 - Mixer or Electric Egg Beater, green bowl, signed - it works --- | 26.00 |
| 12 - Pink Caprice place setting - cup, saucer and plate ----- | 15.00 |
| 13 - Amber Caprice place setting - cup, saucer and plate ----- | 15.00 |
| 14 - Nude Compote 5½", Crown Tuscan with enameled decoration ----- | 95.00 |

POSTAGE AND INSURANCE EXTRA

PRICES continued from page 11

Our reporter in New York writes us that she purchased the following pieces at Shows and Shops. Six 2½ oz. Tally-Ho royal blue handled tumblers for \$15; Fifteen pieces of amber Tally-Ho (six cups, saucers, plates and creamer and sugar on a tray) all for \$30; Wildflower decanter \$20; two Rosepoint relish dishes for \$13; and a willow blue bashful Charlotte figure flower holder for \$35.

In California one of our members passed up a 3" crown tuscan swan with black decoration and the RARE Crown Tuscan mark stamped on the bottom. This was last summer and the asking price was \$75. They were not familiar with the mark. (see Issue #36, April, 1976, page 11, "Trademarks" article by Dave Rankin)

Classified

FOR SALE: N. C. C. BUMPER STICKERS. 50¢ each or 3 for \$1. Send Large SASE - Cambridge Squares, P. O. Box 416, Cambridge, Ohio 43725.

WANTED: CAPRICE in pink, green, amber, blue and royal blue. SWANS. CAMBRIDGE COLLECTORS PLATES (except 1974). Thanks for your help! Laurie Lou Becker, W239 N7562 Maple, Sussex, Wisconsin 53089.

WANTED: CRYSTAL NUDE STEM CORDIALS. Rita Blue service pieces. Stradavari cordials and cock-tails. Beverley Hanson, 17352 Vinewood, Tustin, California 92681 -- 714-544-1554.

Another reporter in central Ohio tells us that she purchased an 8" Ivory plate for \$10; a Virginian cake stand for \$30; and a creamer with Minerva etching for \$6.

We're out of room - will have more for you next month!



DEALERS



DIRECTORY

<p>ANTIQUE ALLEY 24815 Broadway Bedford, Ohio 44146 216-232-7739 ---- Marie Spagnola CAMBRIDGE GLASS ROYAL DOULTON</p>	<p>BENICIA ANTIQUE SHOP 305 First Street Benicia, California 94510 OPEN 11 AM - 5 PM Closed Monday Z. E. LOPES - 707-745-0978 VISIT HISTORIC BENICIA and its 28 shops Off Interstate #80 ----- ----- North of San Francisco</p>	<p>BLUE BELL ANTIQUES Route 19, Wexford, Pa. 15090 3 mi.S.Pa.Twp.Exit 3--Perry Hwy. OPEN 10AM-5PM - FRI.&SUN. to 9PM AL and MARY JANE MILLER</p>
<p>BLACK ROOSTER ANTIQUES 1018 Clark Street Cambridge, Ohio 43725 614-439-2549 ----- M. Sipe CAMBRIDGE GLASS - GENERAL LINE</p>	<p>GOLDSBERRY'S ANTIQUES 6336 H Ave. E. Kalamazoo, Michigan 49004 Ray and Jennie ---- 616-381-3013 SHOWS ONLY - CAMBRIDGE & HEISEY!</p>	<p>FINDER'S KEEPER'S ANTIQUES P.O. Box 303 Dayton, O. 45401 P.O. Box 16023 Columbus, O. 43216 513-254-2937 614-965-1906 SPECIALIZING IN CAMBRIDGE GLASS!</p>
<p>D'MARIE'S ANTIQUES Rt. #1, c/o Eastern Antique Mart Thornburg, Virginia 22565 703-582-5755 ----- Jim Rankin OPEN DAILY - EXCEPT MONDAY</p>	<p>HERITAGE ANTIQUES Rt. #5, Cambridge, Ohio - 43725 614-439-3241 TAKE N.8th St.Rd.(County Rd.#33) TURN LEFT AT RAILROAD TRACK.</p>	<p>GEORGE HOFFMAN ANTIQUES 129 South 4th Street Newark, Ohio 43055 --- 614-345-8550 ---</p>
<p>MARY & WILBUR HENDERSON 303 Guilford Avenue Woodsfield, Ohio 43793 SHOWS Only -- 614-472-1133 SPECIALIZING IN CAMBRIDGE GLASS!</p>	<p>HOBBY HOUSE ANTIQUES Rt. #1, Cambridge, Ohio - 43725 614-432-6971 - Frank & Lena TAKE RT.#209 W.FROM CAMBRIDGE TO RT. #658 - NORTH 1 1/2 MILES.</p>	<p>PAUL & GINNY HENDERSON 1072 Green Street Iselin, New Jersey 08830 Open by Appointment-201-283-3181 SPECIALIZING IN CAMBRIDGE GLASS!</p>
<p>LEGEND INN  1225 W. Church St., Newark, Ohio 614-344-2136 43055 ----- Dine with us and see our CAMBRIDGE GLASS COLLECTION Open 4-11 PM Daily Closed Sunday and Holidays HAROLD & MILDRED WILLEY, OWNERS</p>	<p>THIS 'N' THAT PLACE 101 South Street Chagrin Falls, Ohio -- 44022 Lue Koerper ----- 216-247-4938 OPEN THURS.-SAT. - 10 AM - 5 PM</p>	<p>MARGARET LANE ANTIQUES 2 E. Main Street New Concord, Ohio 43762 Lynn Welker ----- 614-826-4418 CAMBRIDGE GLASS MATCHING SERVICE</p>
<p>PRESIDENTIAL COIN & ANTIQUE CO 6222 Little River Turnpike Alexandria, Virginia - 22312 Gail B. Levine ---- 703-354-5454 WANT LISTS SOLICITED-OPEN 6 DAYS</p>	<p>NATIONAL CAMBRIDGE COLLECTORS, INC. P. O. Box #416 Cambridge, Ohio - 43725</p>	
<p>WILMA SAXTON P. O. Box 43, Berlin, N.J. 08009 CAMBRIDGE, HEISEY, ROYAL DOULTON SHOWS & MAIL ORDER--609-767-1470 or Call TOLL FREE 800-257-8161</p>	<p style="text-align: center;">FIRST CLASS MAIL</p>	
<p>HOFF - HAVEN ANTIQUES 21 Half Moon Lane Tarrytown, New York 10591 No Lists-Shows-Mail-914-631-2140 CAMBRIDGE, Rose In Snow Fostoria</p>		

