

DESIGN.

A. J. BENNETT.

COMBINED CENTERPIECE AND FLOWER HOLDER.

APPLICATION FILED FEB. 17, 1916.

49,384.

Patented July 18, 1916.

2 SHEETS—SHEET 1.

Fig. 1

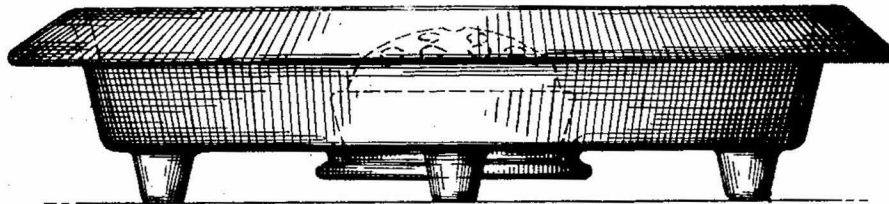
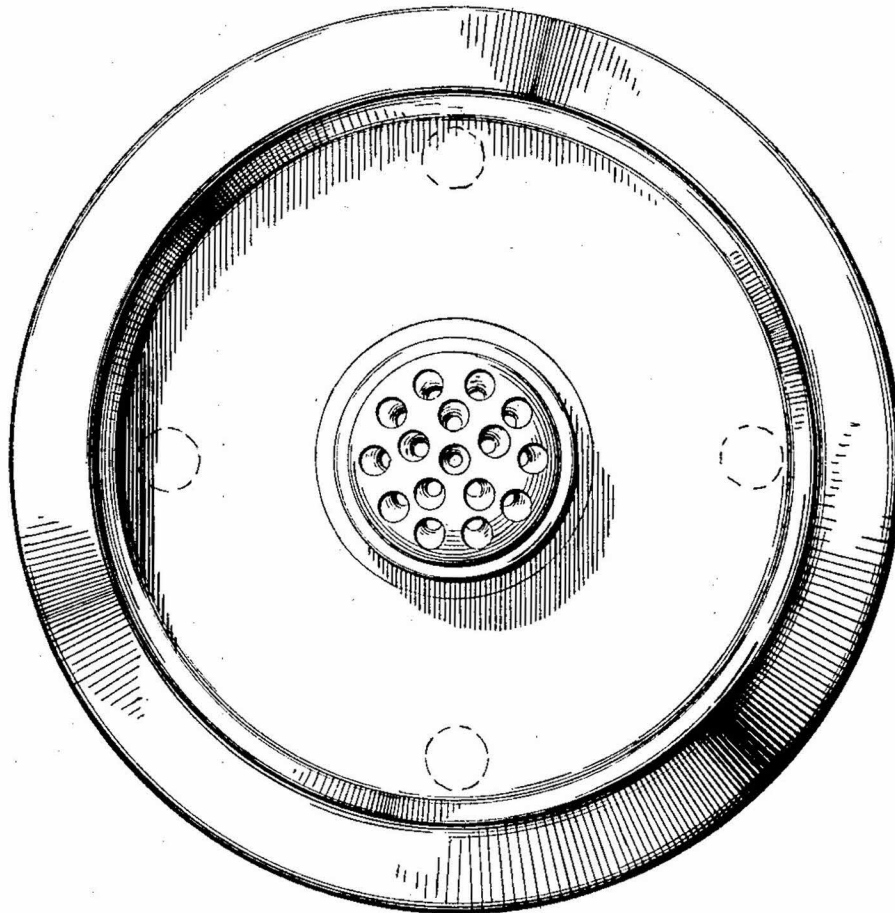


Fig. 2



Witness

Chas. L. Griebauer.

By

Arthur J. Bennett,

Inventor

Arthur J. Bennett,

Attorney

DESIGN.

A. J. BENNETT.

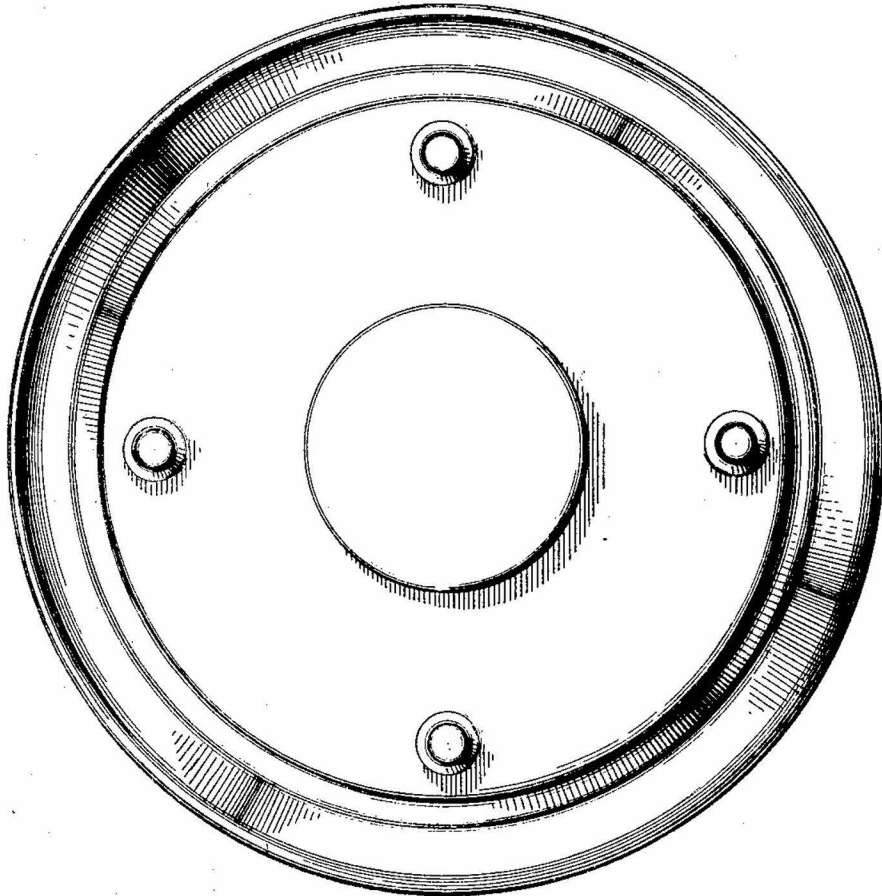
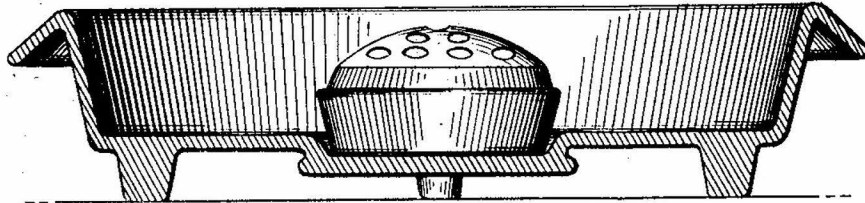
COMBINED CENTERPIECE AND FLOWER HOLDER.

APPLICATION FILED FEB. 17, 1916.

49,384.

Patented July 18, 1916.

2 SHEETS—SHEET 2.



Inventor

Arthur J. Bennett,

Witness

Chas. L. Gristauer.

By

Arthur J. Bennett

Attorney

UNITED STATES PATENT OFFICE.

ARTHUR J. BENNETT, OF CAMBRIDGE, OHIO.

DESIGN FOR A COMBINED CENTERPIECE AND FLOWER-HOLDER.

49,384.

Specification for Design.

Patented July 18, 1916.

Application filed February 17, 1916. Serial No. 78,996. Term of patent 7 years.

To all whom it may concern:

Be it known that I, ARTHUR J. BENNETT, a citizen of the United States, residing at Cambridge, in the county of Guernsey and State of Ohio, have invented a new, original, and ornamental design for a Combined Centerpiece and Flower-Holder, of which the following is a specification, reference being had to the accompanying drawing, forming part thereof.

Figure 1 is a side elevation showing my new combined centerpiece and flower holder;

Fig. 2 is a top plan view thereof; Fig. 3 is a central cross-section, showing the flower holder in side elevation; and Fig. 4 is a bottom plan view.

I claim:

The ornamental design for a combined centerpiece and flower holder, as shown.

ARTHUR J. BENNETT.

Witnesses:

B. J. JENKINS,
M. C. McCARTNEY.

Copies of this patent may be obtained for five cents each, by addressing the "Commissioner of Patents, Washington, D. C."